



**Lustra™**  
Commercial Elongated Toilet Seat  
**K-4671-C**

**Features**

- Kohler plumbing products mean beautiful form as much as reliable function.
- Elongated, open-front toilet seat.
- Check hinge.

**Material**

- Made of solid polypropylene and is resistant to staining, fading, chipping and peeling.



**Codes/Standards**

IAPMO/ANSI Z124.5  
EPA TSCA Title VI  
CARB P2

**KOHLER® One-Year Limited  
Warranty**

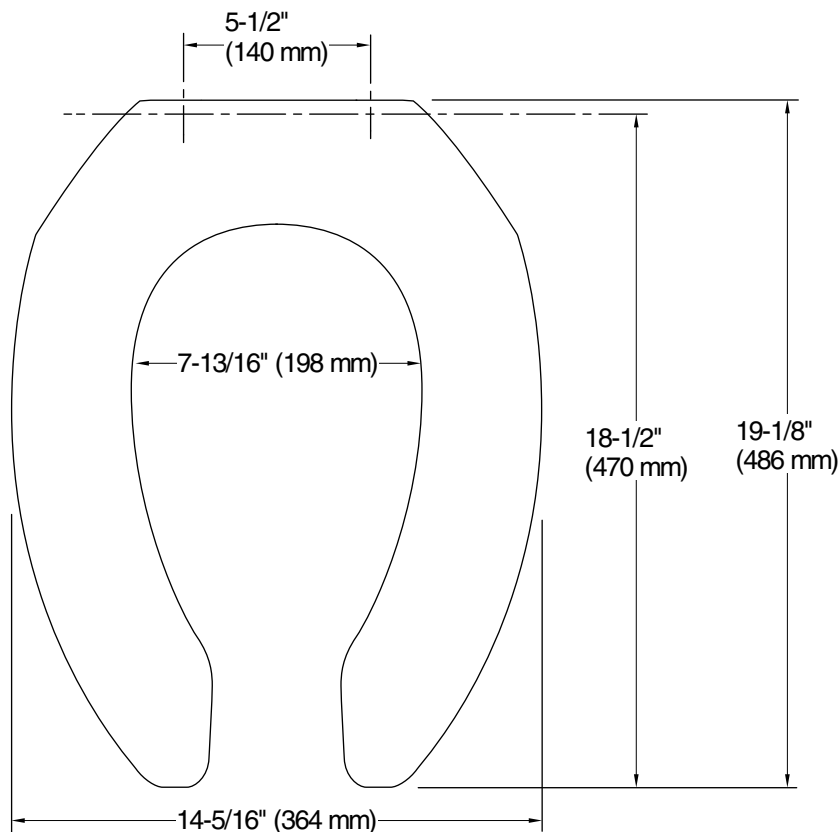
See website for detailed warranty information.

**Available Colors/Finishes**

*Color tiles intended for reference only.*

**Color Code Description**

	7	Black Black™
---	---	--------------



### Technical Information

All product dimensions are nominal.

Seat shape type: Elongated  
Seat front type: Open-front  
Seat hinge type: Check  
Seat-mounting holes: 5-1/2" (140 mm)

### Notes

Install this product according to the installation guide.